



Izerwaren
Order
numbers

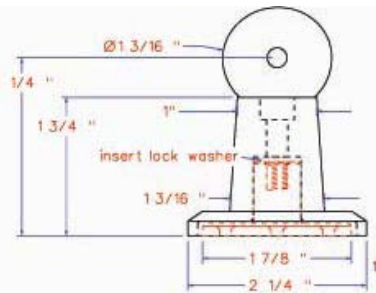
- Magnetic Door Holders
- Rattle free
- For interior use

Magnetic doorholders provide Hands Free operation.

34.MDH.266

Door holder Magnetic

For medium to heavy weight doors
As above Finish available in: chrome, nickel, brass and gold
Details page 3-4-1



#34.MDH.586 magnetic door holder
Finish: Satin Gold
Made of Brass

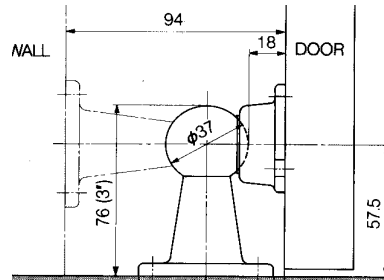
For details & finishes page 3-4-1.

#34.MDH.266
finish: Polished Chrome
Made of Brass

34.MDHB
34.MDHI

Door holder Magnetic

Wall or floor mounted
For medium weight doors
Projection: 2 1/4"
Ivory or brown plastic



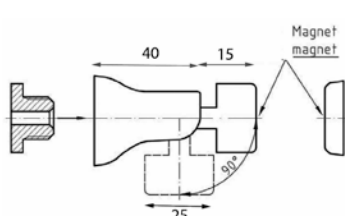
#34.MDHI (Ivory Plastic)

#34.MDHB (Brown Plastic)

34.252

Door holder Magnetic

For medium weight doors
Oval. Projection: 1 1/2 inch
Base: 1 5/16 inch; Keeper: 1 5/8 inch.
Only available in polished lacquered brass, polished or satin chrome



#34.252 magnetic doorholder with swivel.



More Details page 3-4-2

34.HDHU3

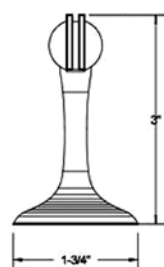
Door holder Magnetic I

For light weight doors
Round. Projection: 3 inch
Base: 1 3/4 inch; Keeper: 3/4 inch
Brass finish; More finishes: page 3-4-4

34.MDH35

Door holder Magnetic

For light weight doors
Square base. Projection: 3 1/2 inch
Base: 1 9/16 inch; Keeper: 1 3/16 inch
Bronze finish; More finishes: page 3-4-4



#34.MDHU3 magnetic doorholder



#34.MDH35 magnetic doorholder US-10B for light weight doors.

34.78C

Door holder Magnetic (1278C)

Wall mounted
For medium weight doors
Distance from wall: 75 mm ~ 3"
diameter: 65 mm 25/8"
Gray rubber with heavy zinc plated rose

34.78A

Door holder Magnetic (1278A)

distance from wall: 50 mm / 2"
diameter: 50 mm ~ 1 15/16"
Gray rubber with heavy zinc plated rose

34.78B

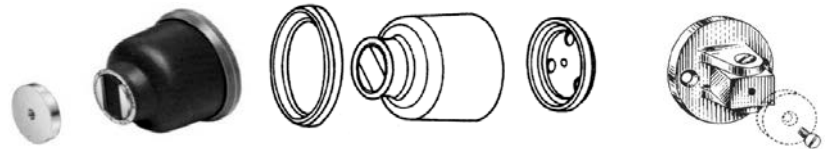
Door holder Magnetic (1278B)

Distance from wall: 1 1/2"
diameter: 1 1/2"
Gray rubber with heavy zinc plated rose

34.279

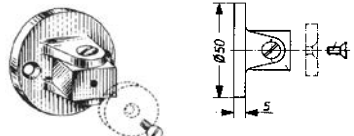
Door holder Magnetic (1279)

Angle; Floor mounted, light duty
2 3/8" diameter x 1 1/2" long
Light Gray rubber with heavy zinc plated rose



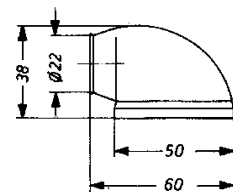
34.271

Swivel (1271), chrome plated brass



#1271 Standoff swivel for magnet allows mounting under angle, standoff: 20 mm ~ 3/4", angle 30 degrees

#1278C Rubber Magnetic Holder 71x 76 mm 2 3/4" 3" Swivel for magnet #34.271
#1278A 54 x 48 mm ~ 2 1/8" diameter X 1 7/8" long
#1278B 38 x 38 mm ~ 1 1/2" diameter X 1 1/2" long



#1279 Magnetic door holder 60 x 38 mm high 2 3/8" long x 1 1/2 high



Izerwaren
Order
numbers

- Magnetic Door Holders
- Rattle free
- For interior use

34.MDHH **Door holder Magnetic "Heavy Duty"**
 Pull aprox. 35-40 lbs / 17 kg
 Wall or floor or ceiling mounted
 For medium weight doors
 Distance wall to door 75.5 mm - 3"
 Brass base material, except for magnet
 Cup in receiver part hard nickel coated steel

**Hands free operation,
 Can be mounted off square.**

- 34.MDHH.266 = Polished Chrome finish
- 34.MDHH.566 = Satin Chrome finish
- 34.MDHH.256 = Polished Nickel finish
- 34.MDHH.556 = Satin Nickel finish
- 34.MDHH.286 = Polished Gold finish
- 34.MDHH.586 = Satin Gold finish
- 34.MDHH.546 = Dark Bronze finish
- 34.MDHH.176 = Red Bronze finish

34.MDHL... **Door holder Magnetic "Medium Duty"**
 Pull aprox. 18-22 lbs / 10 kg
 Wall or floor or ceiling mounted
 For medium weight doors
 distance: 75.5 mm - 3"
 Brass base material, except for magnet
 Cup in receiver part galvanized steel

- 34.MDHL.266 = Polished Chrome finish
- 34.MDHL.566 = Satin Chrome finish
- 34.MDHL.256 = Polished Nickel finish
- 34.MDHL.556 = Satin Nickel finish
- 34.MDHL.286 = Polished Gold finish
- 34.MDHL.586 = Satin Gold finish
- 34.MDHL.546 = Dark Bronze finish
- 34.MDHL.176 = Red Bronze Finish

34.MAGH Seperate set of magnets "HEAVY DUTY" 35-40 LB

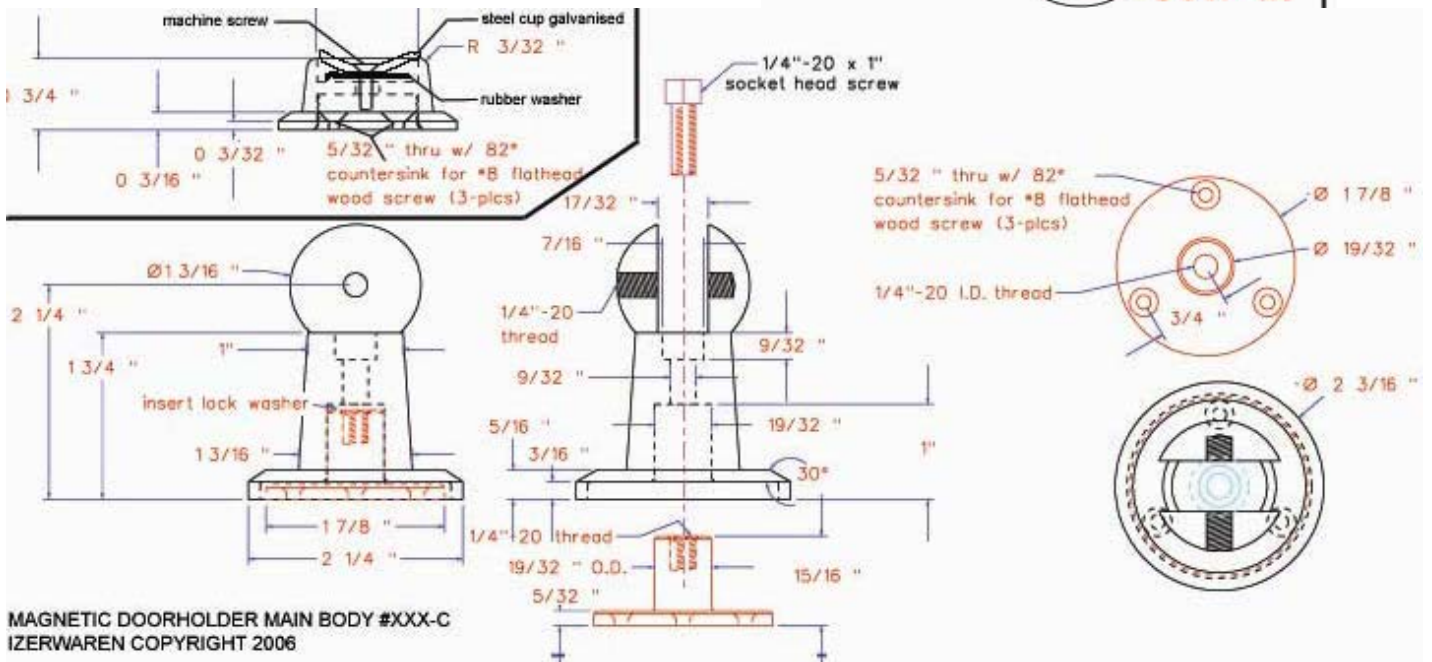
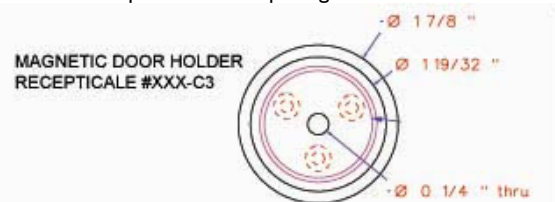
34.MAGL Seperate set of magnets "LIGHT DUTY" 18-22 LB

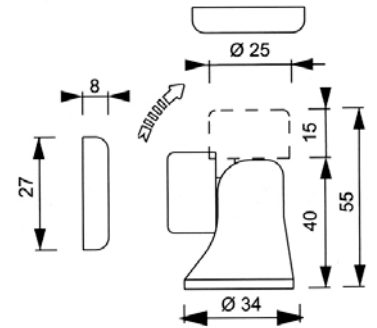
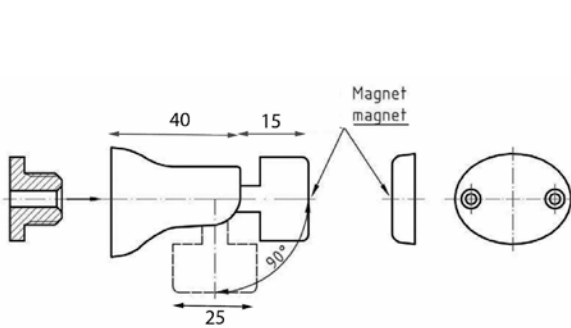


#34.MDHH Magnetic door holder Picture finish: **Satin gold**
 Wall or floor or ceiling mounted; For medium weight doors
 distance: 75.5 mm - 3"high . Brass base material, except for magnet
 Cup in receiver part galvanized steel.

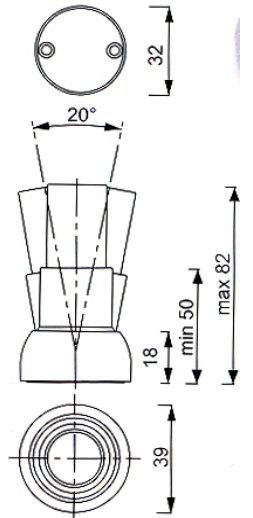
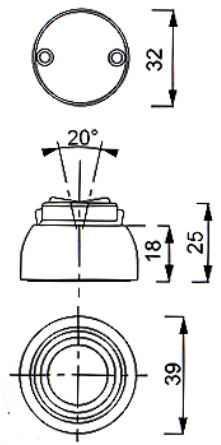


#34.MDHL in polished chrome Magnetic door holder
 Wall or floor or ceiling mounted; For medium weight doors
 distance: 75.5 mm - 3"high . Brass base material, except for magnet
 Cup in receiver part galvanized steel.





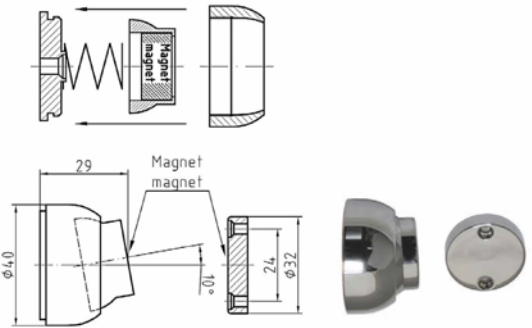
Magnetic doorholder #34.252 Polished Chrome Finish; Light duty for light weight doors



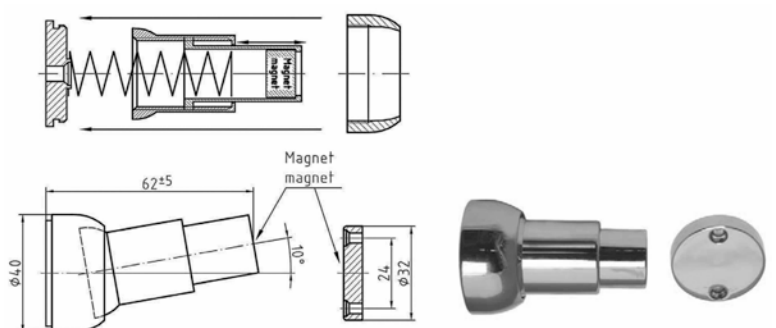
Magnetic doorholder #34.410S

Magnetic doorholder #34.410B

Polished chrome finish spring loaded, swivel; Light duty for light weight doors



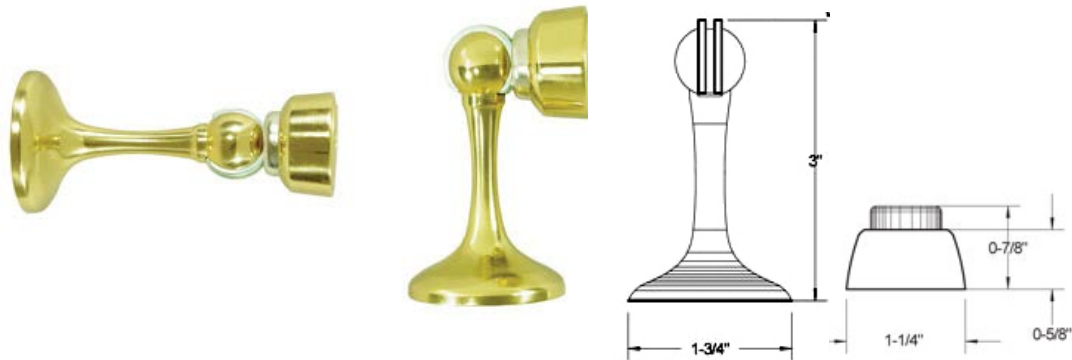
#34.410S



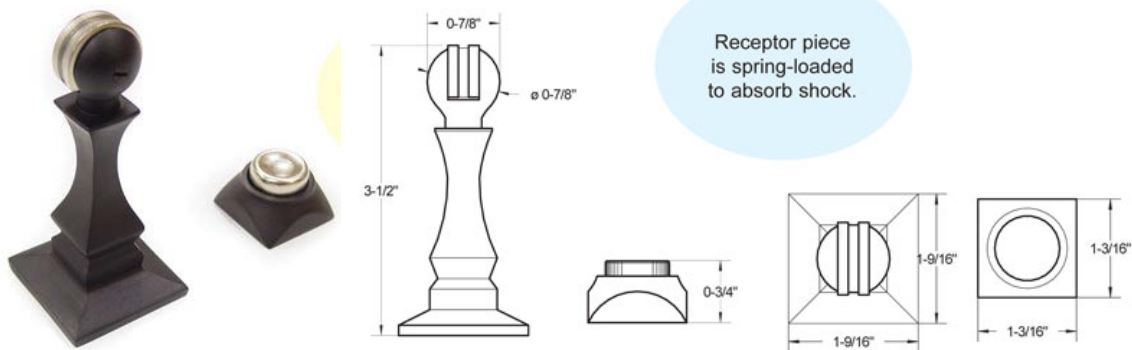
#34.410B



MAGNETIC DOOR HOLDER LIGHT DUTY



34.MDHU3	MAGNETIC DOOR HOLDER	US3 LIGHT DUTY	SOLID BRASS INTERIOR GRADE
34.MDHU5	MAGNETIC DOOR HOLDER	US5 LIGHT DUTY	SOLID BRASS INTERIOR GRADE
34.MDHU10B	MAGNETIC DOOR HOLDER	US10B LIGHT DUTY	SOLID BRASS INTERIOR GRADE
34.MDHU15	MAGNETIC DOOR HOLDER	US15 LIGHT DUTY	SOLID BRASS INTERIOR GRADE
34.MDHU15A	MAGNETIC DOOR HOLDER	US15A LIGHT DUTY	SOLID BRASS INTERIOR GRADE
34.MDHU19	MAGNETIC DOOR HOLDER	US19 LIGHT DUTY	SOLID BRASS INTERIOR GRADE
34.MDHU26	MAGNETIC DOOR HOLDER	US26 LIGHT DUTY	SOLID BRASS INTERIOR GRADE
34.MDHU26D	MAGNETIC DOOR HOLDER	US26D LIGHT DUTY	SOLID BRASS INTERIOR GRADE



34.MDH35U3	MAGNETIC DOOR HOLDER	US3 LIGHT DUTY	SOLID BRASS INTERIOR GRADE
34.MDH35U5	MAGNETIC DOOR HOLDER	US5 LIGHT DUTY	SOLID BRASS INTERIOR GRADE
34.MDH3510B	MAGNETIC DOOR HOLDER	US10B LIGHT DUTY	SOLID BRASS INTERIOR GRADE
34.MDH3515	MAGNETIC DOOR HOLDER	US15 LIGHT DUTY	SOLID BRASS INTERIOR GRADE
34.MDH3515A	MAGNETIC DOOR HOLDER	US15A LIGHT DUTY	SOLID BRASS INTERIOR GRADE
34.MDH3519	MAGNETIC DOOR HOLDER	US19 LIGHT DUTY	SOLID BRASS INTERIOR GRADE
34.MDH3526	MAGNETIC DOOR HOLDER	US26 LIGHT DUTY	SOLID BRASS INTERIOR GRADE
34.MDH3526D	MAGNETIC DOOR HOLDER	US26D LIGHT DUTY	SOLID BRASS INTERIOR GRADE

Items has steel galvanized parts, interior grade.